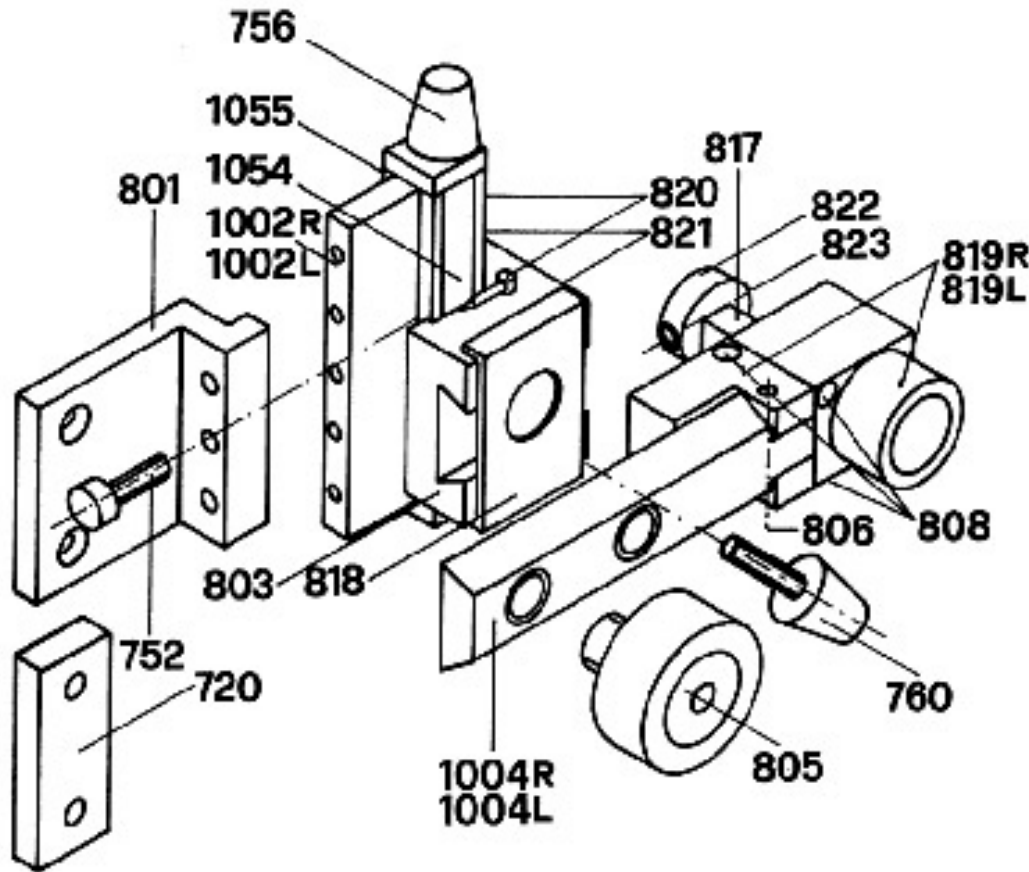


AGF-3D



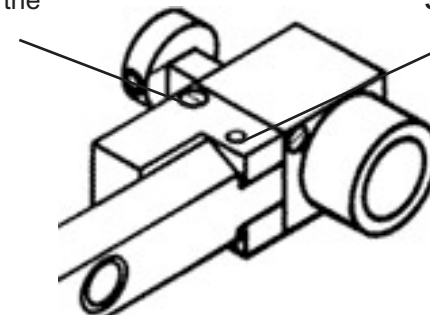
AGF- 801	Side mount
AGF- 1002R	Worm bar RH
AGF- 1002L	Worm bar LH
AGF- 803	Adjustment unit vertical
AGF- 1004R	Extension RH, 4-hole
AGF- 1004L	Extension LH, 4-hole
AGF- 805	Knob
AGF- 806	Bolt
AGF- 808	Adjusting screw M6x10
AGF- 817	Sight ring traverse, 10/32"
AGF- 818	Safety plate aluminium
AGF- 819	Adjustment unit horizontal incl. 817
AGF- 720	Side mount special incl two screws
AGF- 820	Pointer one
AGF- 821	Screw M6x8 for pointer
AGF- 822	Clamp ring
AGF- 823	Clamp screw M6x8
AGF- 752	Screw M4x18
AGF- 1054	Scale
AGF- 1055	Writing strip
AGF- 756	Knob
AGF- 760	Locking screw

To adjust the level of the scope, the fixation screws must be loosened. Then the adjustment can be made by using the adjustment screws. After that the fixation screws have to be locked again. They are needed for additional stability.

WARNING:

When adjusting the fixation screws and the adjustment screws at the same time, there can be too much tension in the sight head. Always loosen the fixation screws first, then do the adjustment.

2 adjust the level with the adjustment screws.



1. loosen the fixation screws

3. lock the fixation screws